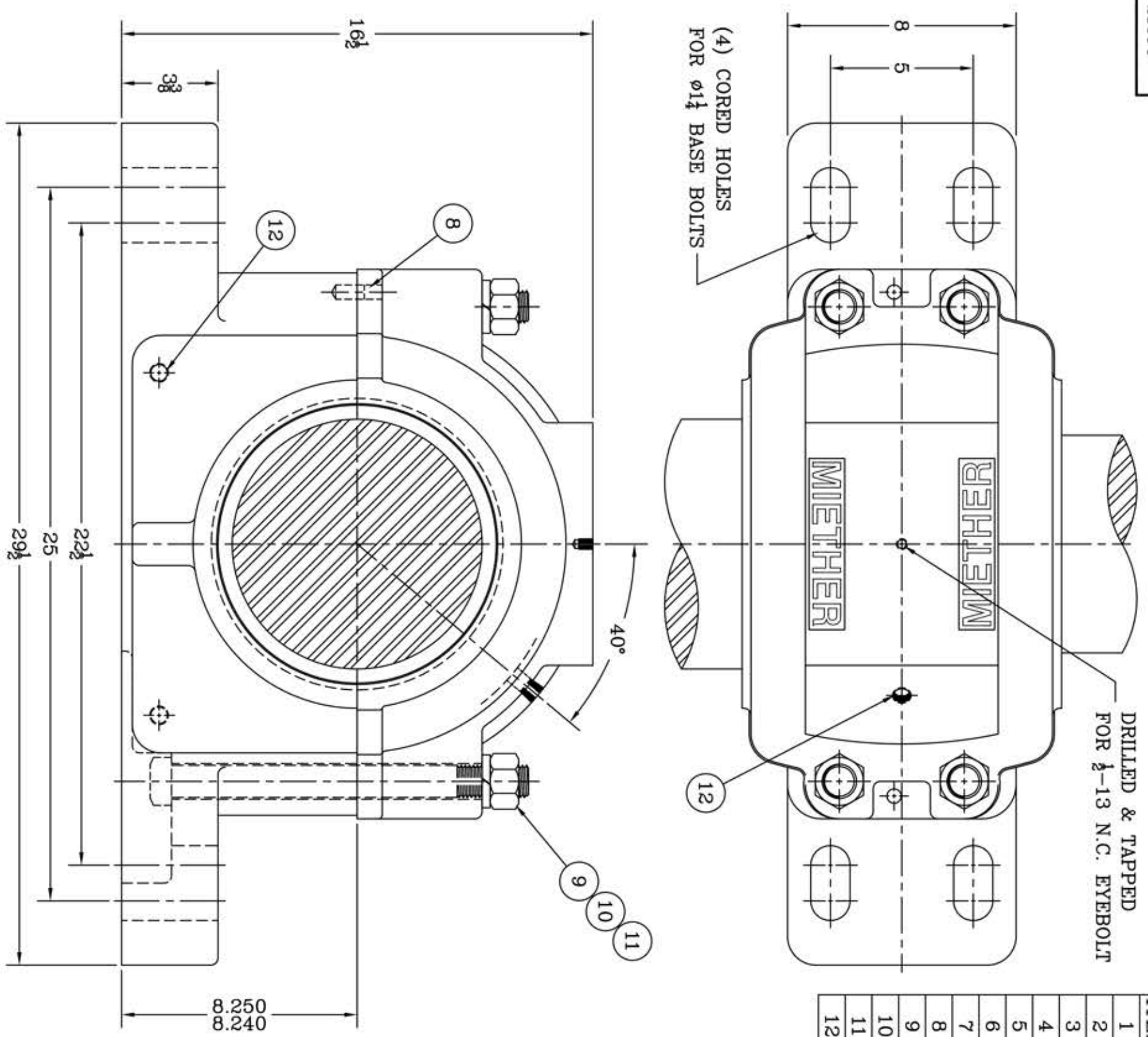


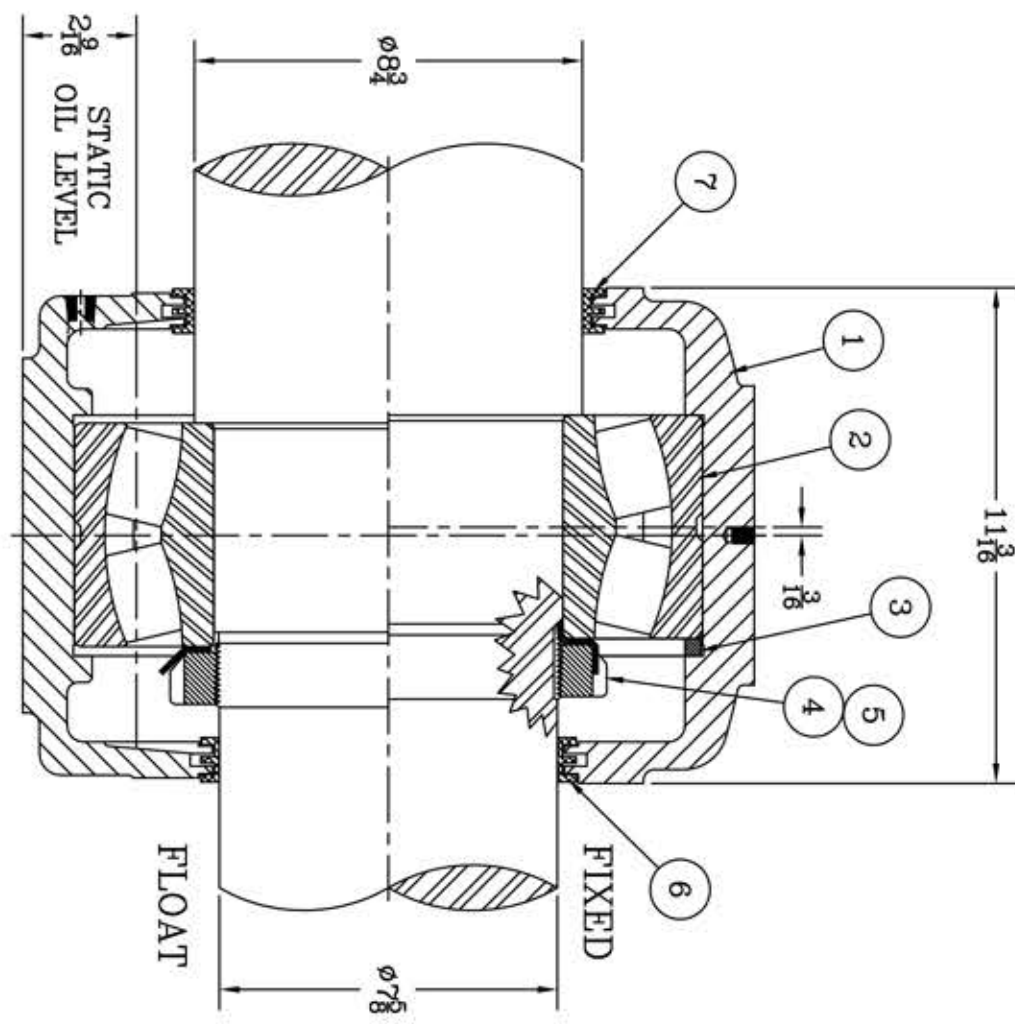
This drawing is the sole property of Miether Bearing Products and contains confidential and proprietary information. It is being provided to you for your use and may not be disclosed to any third party or used for any other purpose without Miether's prior written consent. The [materials] must be returned to the Company upon its demand. Your acceptance of these materials constitutes your acceptance of the foregoing terms.

C-28694



DRILLED & TAPPED FOR ½-13 N.C. EYEBOLT

ITEM	DESCRIPTION	DETAIL	REQUIRED
1	HOUSING SAW 240	C-27139	1 1
2	SPHERICAL ROLLER BEARING	23240/W-33	1 1
3	STABILIZING RING SR-40-34	A-10611	1 0
4	LOCKNUT AN-40	B-10424	1 1
5	LOCKWASHER W-40	00235	1 1
6	TRIPLE SEAL RING LER-164	A-10674	1 1
7	TRIPLE SEAL RING LER-175	A-10677	1 1
8	DOWEL Ø½ x 1" LONG		2 2
9	CAP BOLT SQUARE HEAD 1½-7 NC x 12½ LONG		4 4
10	CAP BOLT HEX. NUT 1½-7 NC		4 4
11	LOCKWASHER 1½ SPLIT MED.		4 4
12	PIPE PLUG ¾-18 NPT		3 3



REDRAWN FOR CONFORMITY RWB per KAB 3-17-04

REVISIONS

SYMBOL	DESCRIPTION
✓	16
✓	32
✓	63
✓	125
✓	250
✓	500
✓	1000

TOLERANCE: UNLESS OTHERWISE SPECIFIED
 FRACTIONS ± 1/32" ANGLES ± 0° 30'
 DECIMALS ± .005" WELD ± 1/16"
 CASTING ± 1/16"
 A.I.S.I. STANDARD FINISHES

AN ALCO INDUSTRIES COMPANY
 BEARING PRODUCTS
 ODESSA, TX. USA

SAW 23240 08-12 x 07-10
 ASSEMBLY DRAWING

SCALE 1 = 3
 DRAWN OMI
 DATE 1/29/01
 CHK:

ASSEMBLY NO.
 DRAWING NO. C-28694